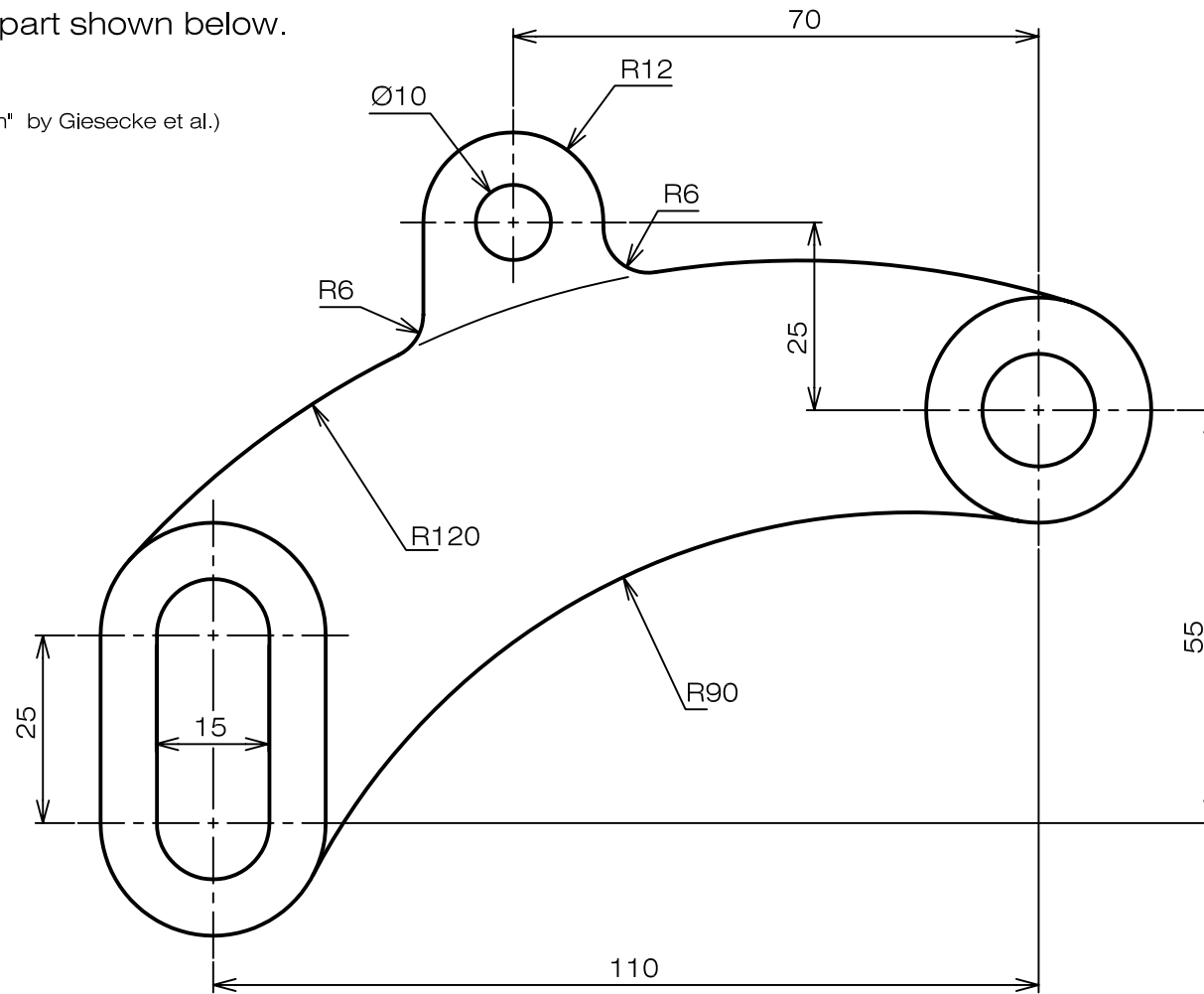


Make a drawing of the part shown below.

(Problem is adapted from  
 "Modern Graphics Communication" by Giesecke et al.)



SCALE 1:1

SHIFT LEVER

These points are the center of the 90 mm and 120 mm radius arcs. You should locate these two points on a drawing sheet, first.